

ERCO

# Lightcast recessed luminaires

Modernisations with efficient LED technology



# Lightcast recessed luminaires

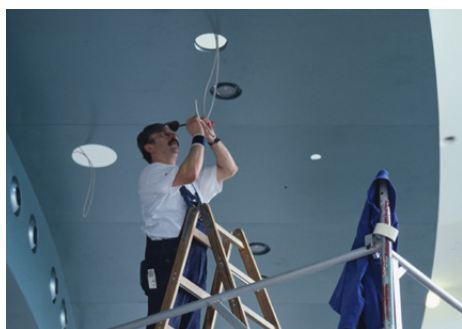
## Simple modernisation for better energy efficiency

### Quick replacement of conventional light sources thanks to Lightcast with LED

Lightcast with LED allows the modernisation of Lightcast lighting systems using conventional light sources such as halogen lamps, high pressure discharge lamps or compact fluorescent lamps. Your advantages:

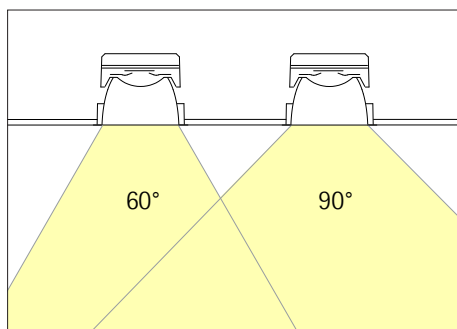
- Identical light distributions
- Identical installation dimensions
- Reuse of installation details
- Optimised lighting technology
- High visual comfort
- Reduction of operating costs

We will be happy to assist you with any questions you may have about replacements.



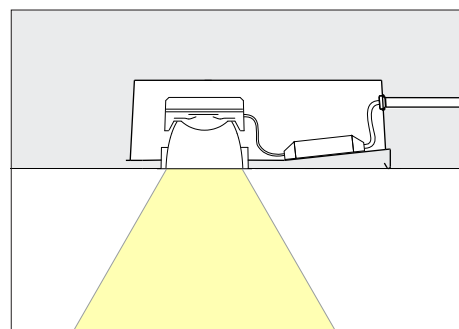
### Identical light distributions

Because new Lightcast LED luminaires have the same light distribution as the previous luminaires with conventional lamps, no new lighting design is needed. This means you can replace the luminaires directly without having to change the lighting concept.



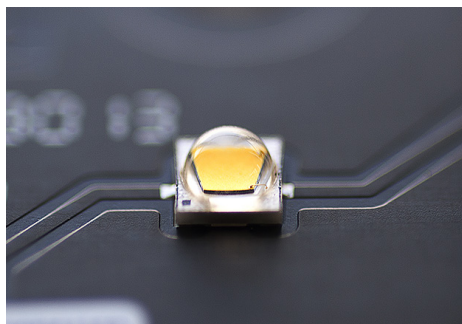
### Downlights with 60° and 90° light distribution

Lightcast recessed luminaires with 60° are particularly suitable for high rooms because their narrow light beam provides a high level of visual comfort. The version with 90° distribution is ideal for high cylindrical illuminance levels in conference rooms.



### Mounting enclosure can be re-used

Thanks to identical outer dimensions of the Lightcast LED construction, the mounting rings and mounting enclosure can be reused for easy installing of the recessed luminaires. This minimises time and costs during upgrading.



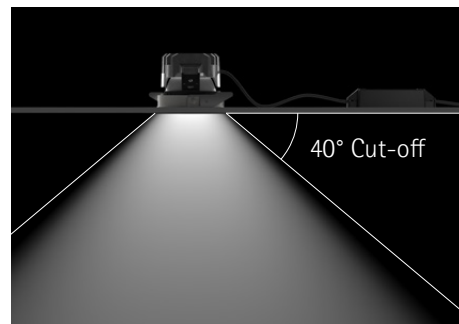
### Saving energy via LED

With the new LED version of Lightcast, significant energy savings can be achieved compared to existing systems fitted with halogen lamps. Lightcast enables energy consumption to be reduced by up to 80%. The long service life of LEDs also significantly cuts maintenance costs.



### Optimised lighting technology

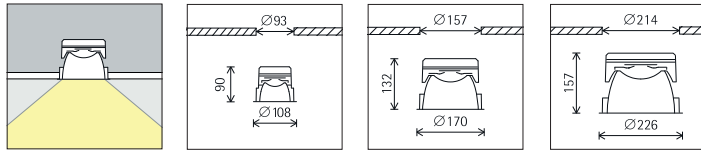
Thanks to Lightcast's new LED technology, the luminaires achieve a higher light output ratio. A lower luminous flux compared to the original recessed luminaires with conventional lamps is therefore sufficient to achieve the same illuminance.



### Maintaining high visual comfort

Lightcast luminaires with conventional lamps impressed with high visual comfort. With a cut-off angle of 40°, the new LED technology also offers the same visual comfort.

# System overview



Construction size LED-data (max.)

108mm	170mm	226mm
12W/1650lm	24W/3300lm	32W/4400lm

## Light colour

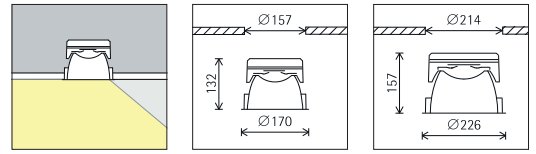
3000K Ra ≥90
4000K Ra ≥80

## Light distribution

Downlights	
	Wide flood 60°
	Extra wide flood 90°

## Control

	DALI
--	------



Construction size LED-data (max.)

170mm	226mm
24W/3300lm	32W/4400lm

## Light colour

3000K Ra ≥90
4000K Ra ≥80

## Light distribution

Downlight wallwashers	
	Washlight

## Control

	DALI
--	------

~60°	Ø	12W	24W	32W
2m	2.3m	339lx	678lx	904lx
4m	4.5m	84lx	169lx	225lx
6m	6.8m	38lx	76lx	101lx
8m	9.1m	21lx	42lx	56lx

### 60° light distribution

60° distribution is suitable for high rooms with high visual comfort requirements.

~90°	Ø	12W	24W	32W
2m	4.1m	120lx	241lx	321lx
4m	8.2m	30lx	60lx	80lx
6m	12m	13lx	26lx	35lx
8m	16m	8lx	16lx	21lx

### 90° light distribution

In meeting rooms, the extra wide flood distribution achieves a good recognition of faces.

The information on illuminance indicates the approximate illuminance. Computer-aided calculation is recommended for individual lighting design.



ERCO GmbH  
Postfach 2460  
58505 Lüdenscheid  
Brockhauser Weg 80-82  
58507 Lüdenscheid  
Germany

Tel.: +49 2351 551 0  
Fax: +49 2351 551 300  
info@erco.com  
www.erco.com